



HOUSEHOLD GAS HOB

INSTRUCTION MANUAL

**Scan & Submit
Your E-Warranty**



Or Visit

<https://ikahome.com.my/ika-ewarranty>

PLEASE READ THE MANUAL CAREFULLY BEFORE OPERATION.

1. IMPORTANT NOTES AND PRECAUTIONS FOR USE

You have purchased one of our products for which we thank you. We are confident that this new appliance, modern, functional and practical, made with top quality materials, will meet all your demands .

This new appliance is easy to use but before installing and using it, **it is important to read this handbook through carefully**. It provides information for a safe installation, use and maintenance. Keep this handbook in a safe place for future reference.

The manufacturer reserves the right to make all the modifications to its products that it deems necessary or useful, also in your interests, without prejudicing its essential functional and safety characteristics.

The manufacturer cannot be held responsible for any inaccuracies due to printing or transcription errors that may be found in this handbook.

N.B.: the pictures shown in the figures in this handbook are purely indicative..

- The installation, adjustments, conversions and maintenance jobs must only be carried out by authorised personel.
- The installation of all-gas and combi appliances must comply with the standards in force.
- The appliance must only be used for what it has been made for, that is, cooking for home use. Any other use is considered improper and, as such, dangerous.
- The manufacturer cannot be held responsible for any harm to people or damage to things deriving from an incorrect installation or maintenance or from an erroneous use of the appliance.
- Once the outer wrapping and the inner wrappings of the various parts have been removed, check and make sure that the appliance is in perfect condition. If you have any doubts do not use the appliance and call in a qualified person.
- The packaging materials used (cardboard, bags, polystyrene foam, nails, etc.) must not be left anywhere in easy reach of children because they are a potential hazard source. To safeguard the environment all packaging materials are environment friendly and recyclable.
- The electrical safety of this appliance is only guaranteed if it is correctly connected to a good earth system, as prescribed by the electrical safety standards. The manufacturer declines all responsibility if these instructions are not followed. Should you have any doubts ask for an accurate control of the system by qualified personnel.
- Prior to connecting the appliance ensure that the rating plate data correspond to those of the gas and electricity mains .

To use any kind of electrical appliance there are a few basic rules that must be observed:

- ⇒ Do not touch the appliance if your hands or feet are wet or damp.
- ⇒ Do not use the appliance bare footed.
- ⇒ Do not pull the lead to take the plug out of the socket.
- ⇒ Do not leave the appliance outside under the sun, rain, etc
- ⇒ Do not let children or anybody who is incapable to use the appliance on their own.
- If you are using a socket near the appliance make sure that the cables of electrical appliances you are using do not touch it and are far enough away from all hot parts of the appliance.
- When you have finished using the appliance check that all the controls are in the off or closed position, checking that the “0” of the knob corresponds to the “• “ symbol serigraphed on the front panel.
- Take the plug out of the socket before you start cleaning or servicing the appliance.
- In the case of a failure and/or malfunction, turn the oven off and take the plug out of the socket; do not tamper with it. All repairs or settings must be done with maximum care and attention by qualified personnel. For this reason we recommend you call the nearest Assistance Centre of ours, explaining the trouble and giving the name of the model.

If an appliance is out of order or is not going to be used any more, it must be rendered useless by eliminating those parts that could be a hazard source for children when they are playing, for example:

⇒ The power cable.

DO NOT SPRAY AEROSOLS IN THE VICINITY OF THIS APPLIANCE WHILE IT IS IN OPERATION.

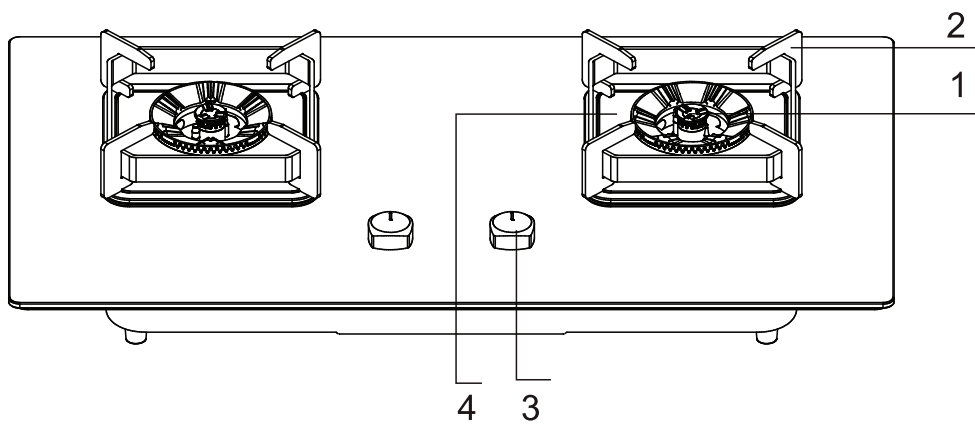
DO NOT STORE OR USE FLAMMABLE LIQUIDS OR ITEMS IN THE VICINITY OF THIS APPLIANCE.

NOT FOR USE IN MARINE CRAFT, CARAVANS OR MOBILE HOMES UNLESS EACH BURNER IS FITTED WITH A FLAME SAFEGUARD.

WHERE THIS APPLIANCE IS INSTALLED IN MARINE CRAFT OR IN CARAVANS, IT SHALL **NOT** BE USED AS A SPACE HEATER

DO NOT MODIFY THIS APPLIANCE.

2. DESCRIPTION OF THE APPLIANCE



1. Gas Burner

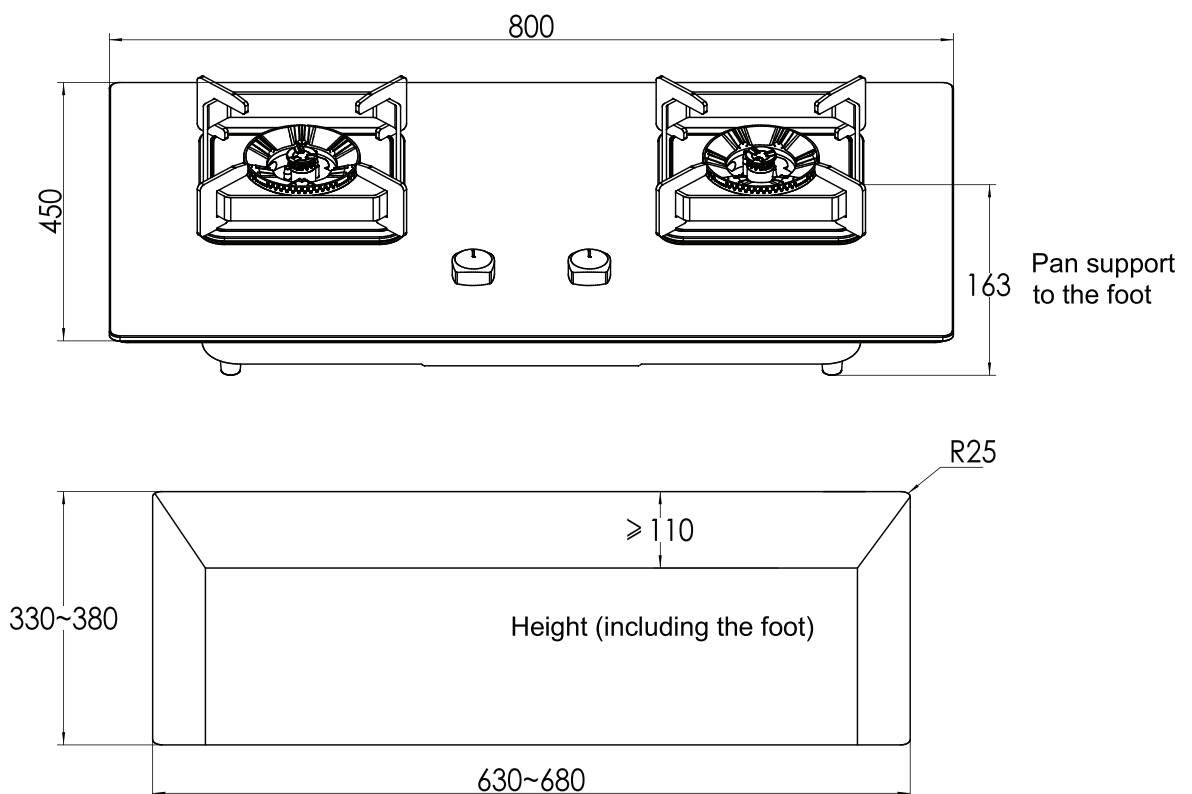
2. Pan Support

3. Gas Burner Control Knob

4. Water plate

3. INSTALLATION

Units: mm



Pic. 1

GENERAL NOTES ON SAFETY

- When the burners or plates are in use do not leave them unattended and make sure there are no small children in the vicinity. Check that pan handles are positioned correctly and always keep an eye on the pan whenever oils or fats are used as they are easily inflammable.
- Do not use spray cans near the appliance when it is in use.
- If the built-in hob has a lid, before opening the lid remove any food deposits from its surface.
- If the built-in hob has a crystal glass lid, it can explode if heated. Turn off all the burners and switch off all plates, before closing the lid.
- If you see any cracks on the surface of the plate, disconnect the appliance from the mains immediately.
- After you have used the appliance make sure that all the controls are off or closed.

Intallation Notes

1. The hole should lower than the table $\geq 14\text{cm}$.
2. The side of hob should leave the wall or other object $\geq 15\text{cm}$, leave the top $\geq 100\text{cm}$.
3. Under the table should have $> 150\text{ cm}^2$ ventilation opening avoid the gas accumulation.

Ignition

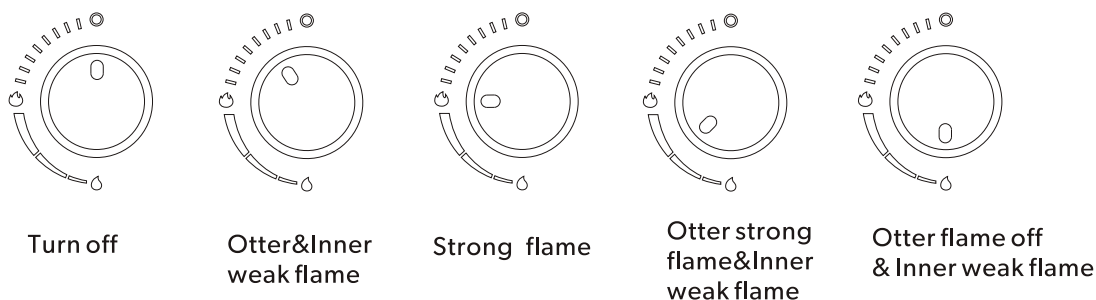
⚠ Warning

1. Please try more times to ignite the hob because there might have some air in the pipe. If you smell the gas means the gas is leaking, please open the window to make sure the air is clean and check the connection of the gas pipe.
2. Please adjust the valve to make sure the flame is over the thermocouple.

●Adjust the flame

You could turn the knob slowly to adjust the flame.(check Pic.2)

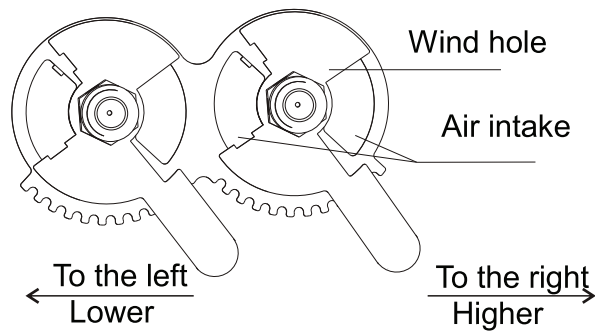
●Turn off the flame



Pic. 2

●Adjust the valve

1. The valve is on the bottom of hob, should adjust the valve until the flame looks clean, no yellow flame, jump flame, can no hear any noise will be fine. If it does should turn turn the wind hole smaller.
2. If the flame looks yellow or black, should open the wind hole wider, until the flame looks clean.



Pic.3

●**Safety protection**

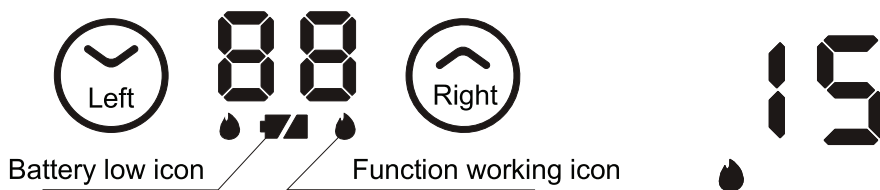
If the flame off accidentally, the gas will be cut off in 1min.

●**Timer function**

1. The timer could set to 99mins and left & right burners are both have this function, but can not use them in the same time.

Warning: Can not touch left & right timer key in the same time.

2. The screen has these icons: Two “8”s, left & right timer key, battery icon, function working icon.



Pic4

●**Time setting**

a) When the left burner is working, please long press “Left” for 2s, then the left burner will go to timer setting mode.

Next the number will shows “15”mins, you could set the timer with “Left” and “Right” icon. “Left” is down, “Right” is up.

Right burner setting is the same.

b) In the time setting mode, you could short press or long press the icon to set the clock.

c) In the time setting mode, if you do not touch any icon for 3s, the clock will start counting.

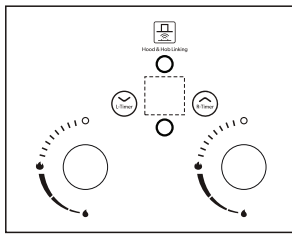
d) When the counting is finished, the burner will be turn off and the clock will shows “00”. Also the user need to turn the knob to the off position. The other burner will not have any change.

e) If you want to change the time when it is counting, you could short press “Left” or “Right” for one time, then the timer will go to time setting mode.

●**Hood to hob function (Only with specify hob model)**

If your hob with this function, the connection is automatically

- 1) When this function on, the hood will turn on with the hob. When you turn off the hob, the hood will turn off after 1 min.
- 2) The distance from hood to hob should be in 120cm.
- 3) The red line area can not be cover by anything.

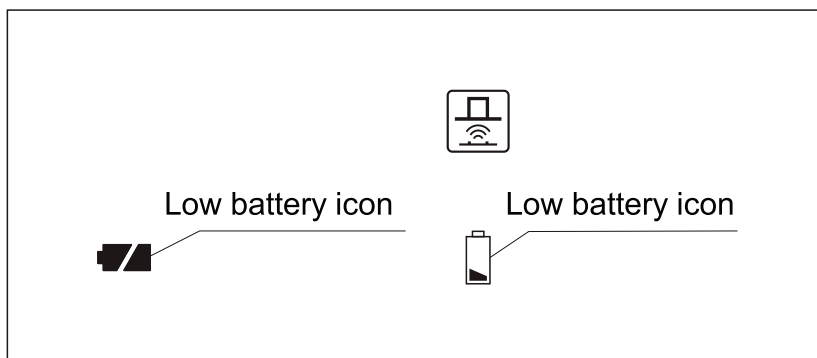


⚠ Warning: This area can not be cover by anything, or “Hood to Hob” function can not be use.

Pic5

●Low battery

The low battery icon is in the middle of the panel. When the battery is low the icon will be keep flashing. Please remember to replace the battery soon.



Pic6

MAINTENANCE

Maintenance Schedule

No regular maintenance is required for the hotplate except cleaning.

Prior to any maintenance work or before changing parts, disconnect the appliance from the gas and electricity power sources.

REPLACING COMPONENTS

- To access the terminal board and the power cable, it is necessary to remove the hob from the cabinet by unscrewing the relative fixing screws (V) .
- **If the power cable needs changing, call an authorised Assistance Centre as it is necessary the use of special utensils. The technician will have to connect a cable with a suitable cross section (see the table on page 13) keeping the earth wire longer than the phase wires. In addition, follow the instructions giving in the “ELECTRICAL CONNECTION” paragraph.**
- To replace other gas and electrical components, that are lodged inside the hob, it is enough to remove the work top unscrewing the fixing screws of the burners
- Replace the seal each time you change a tap in order to guarantee a perfect tightness between body and rail.

