

Components

Ref	Product components	Qty
1	Hood body	1
2	Air outlet adapter	1
3	Sealing ring of air outlet adapter	1
4	Duct connecting ring	1
5	Aluminum exhaust duct	1
6	Hood mounting bracket	1
7	Oil cup	1
8	Top chimney mounting bracket	1
9	Fasten screw for hood mounting bracket(M4X14)	1
10	Fasten screws for top chimney(M4X10)	2
11	Fasten screws for chimney mounting bracket(ST5X10)	7
12	Drywall anchors	7
13	User manual	1
14	Water cup	1



COOKER HOOD INSTRUCTION MANUAL

HOME TYPE TRADING SDN BHD

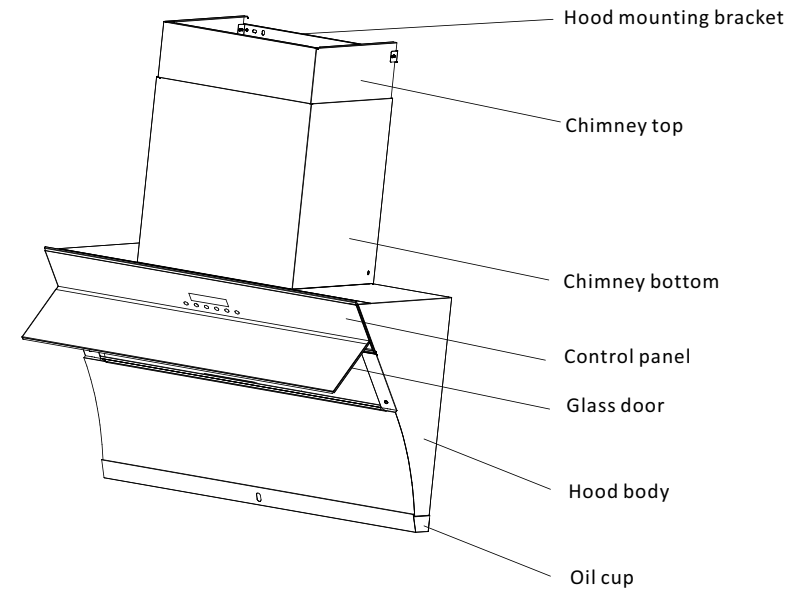
LOT 1848-C, JALAN KPB 8, KG, BARU BALAKONG,

43300 SERI KEMBANGAN,


SELANGOR DARUL EHSAN, MALAYSIA.

TEL: 03-8962 1848 FAX: 03-8961 8848

Structure



Specification

	Cooker hood
Model No	: IKA-KURVE
Rated input voltage	: 220-240V/50Hz
Motor power	: 240W
Max lamp power	: 2x2W
Total power	: 244W
Water pump power	: 12W(12V)

Installation

- * The manufacturer will not be held liable for any damages resulting from incorrect or improper installation.
- * Please read this instruction manual before installing and using this cooker hood. Properly keep this instruction manual in a safe place for future reference.
- * This cooker hood can be only used in the Ducted Mode (ducting fumes to the outside)
- * Only a qualified and trained service technician can undertake the work of installation, and services.
- * Check that the mains voltage corresponds to the one indicated on the rating plate fixed inside the hood.
- * Check that the domestic power supply guarantees adequate earthing.
- * Do not connect the hood to exhaust ducts carrying combustion fumes (boilers, fireplaces, etc.)
- * If the hood is used in conjunction with non-electrical appliances (e. g. gas burning appliances), a sufficient degree of aeration must be guaranteed in the room in order to prevent the backflow of exhaust gas. The kitchen must have an opening directly with the open air in order to guarantee the entry of clean air.
- * The minimum distance is 750mm from the cooker hood to a gas hob, and is 650mm to an electric hob. If the installation instructions for gas hobs specify a greater distance, this must be taken into account.

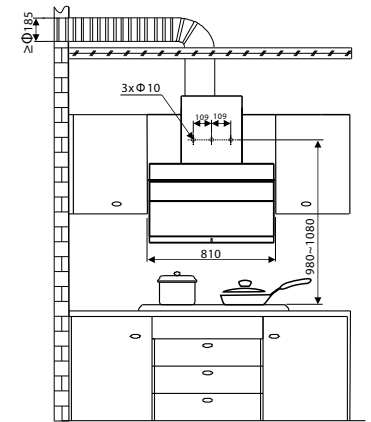
Installation

Note 1 : On stainless steel hoods, carefully remove the plastic protective film from all exterior surfaces of the hood and chimney prior to final installation.

Note 2: At least two people will be required to mount the hood.

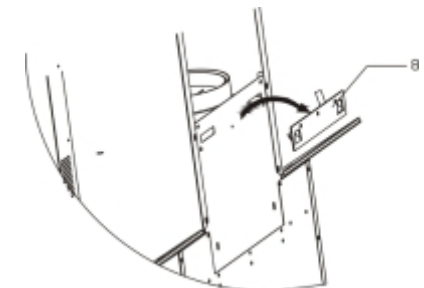
WALL DRILLING AND BRACKETS FIXING

1. Draw a vertical line on the supporting wall up to the ceiling, or as high as practical, at the centre of the area in which the hood will be installed.
2. Draw a horizontal line at the dimension of picture shown,
3. Place chimney mounting brackets 7 on the wall as shown about 20mm from the ceiling or upper limit aligning the centre (notch) with the vertical reference line.
4. Mark the wall at the centre of the holes in the bracket.
5. Place the hood mounting bracket 6 on the wall as shown aligning the central notches to the vertical reference line.
6. Mark the wall at the centre of the holes in the bracket.
7. Drill ϕ 10mm holes at all the centre points marked.
8. Fix the two brackets using the mounting screws and drywall anchors.
9. Fix the fasten screw to hood mounting bracket 6.



MOUNTING THE HOOD

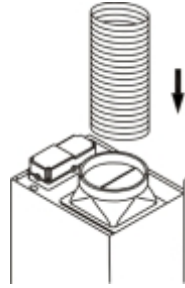
1. Hook the body onto the hood mounting bracket 8 as shown.
2. Balance the hood body by slightly adjusting the hood mounting bracket. Gently lower the hood until it securely engages the bracket.



DUCT FIXING

Caution: To reduce the risk of fire, use metal ductwork only.

1. Attach an adequate length of $\phi 170$ mm round duct into the recessed area of the air outlet adapter.
2. Secure the duct using two screws that have been already fixed on the two sides of the air outlet adapter. Make sure the duct is fixed well on.

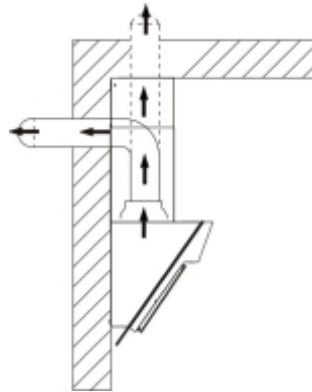


CONNECTIONS

Ducted mode air exhaust system

Caution: To reduce the risk of fire, use metal ductwork only.

1. Decide where the ductwork will run between the hood and the outside.
2. A straight, short duct run will allow the hood to perform most efficiently.
3. Long duct runs, elbows, and transitions will reduce the suction performance of the hood. Use as few of them as possible. Larger ducting may be required for best performance with longer duct runs.
4. Attach an adequate length of $\phi 170$ mm round duct to the air outlet adapter.
5. The air must not be discharge into a flue that is used for exhausting fumes from appliances such as burning gas or other fuels. Regulations concerning the discharge of air have to be fulfilled.
6. Install a roof/wall cap. Connect round metal ductwork to cap and work back towards hood location. Use duct tape to seal the joints between ductwork sections.



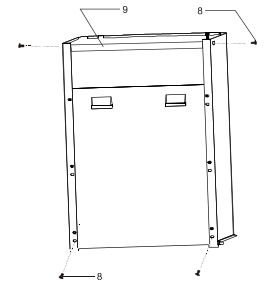
Electrical connection

- * Electrical wiring must be done by a qualified person(s) in accordance with all applicable codes and standards. Turn off electrical power at service entrance before wiring.
- * If the supply cord is damaged, it must be replaced by the manufacturer, its service agent or similarly qualified persons in order to avoid a hazard.
- * Do not use the plug and an extension cord other than the ones initially supplied with the hood.
- * The earthing of this hood is compulsory. Do not remove ground prong of the plug.

TELESCOPIC CHIMNEY COMPRISING ASSEMBLY

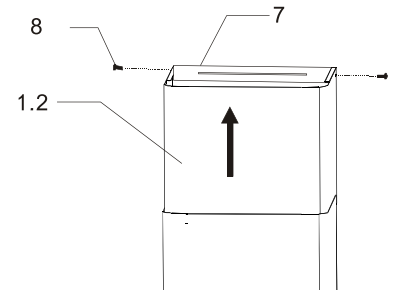
Decorative Chimney Bottom

1. Carefully slide the decorative chimney bottom 1.1 down outside the decorative chimney top 1.2. Carefully place the decorative chimney bottom 1.1 into the recessed area of the hood body top.
2. Fix the Decorative Chimney Bottom 1.1 with the four decorative Chimney Bottom screws 8 supplied backwards.

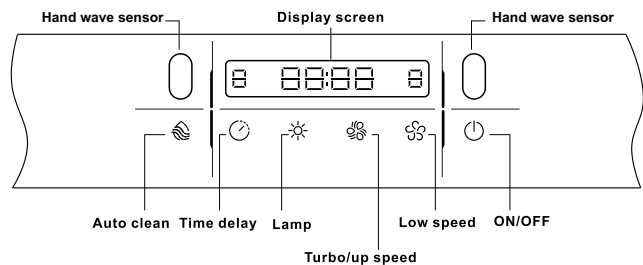


Decorative Chimney Top

1. Raise the decorative chimney top 1.2 up inside the decorative chimney bottom 1.1. Secure the decorative chimney top 1.1 to the chimney mounting bracket 7 that is well fixed on the wall with the two chimney bracket screws 8 supplied from two sides.



Insturtion of operation



* Clock setting

When hood standby, press “⌚” could start to set the clock. First setting is hours, press “⌚” again is mins, the third press is confirm. “⬆️” is up and “⬇️” is down.

* ⌚ Time delay function

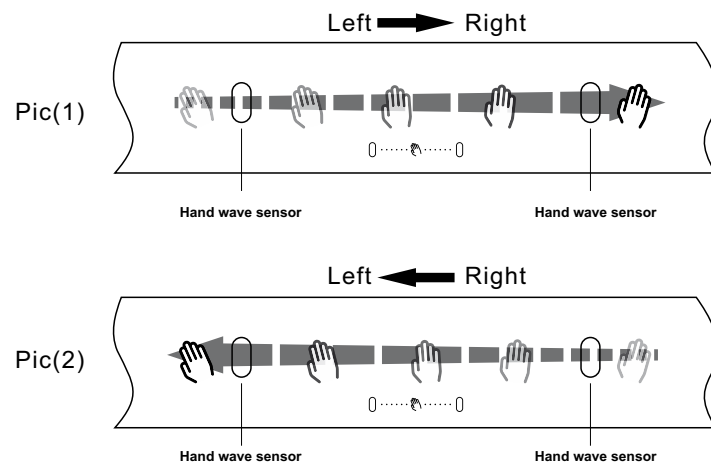
When fan speed or illumination is working, press “⌚” and the hood will be off after 3 mins. You could keep pressing “⌚” to choose 3mins/6mins/9mins and cancel. When the hood turned off, it will count down 5s for close the door.

* ⚙️ Stir-fry function

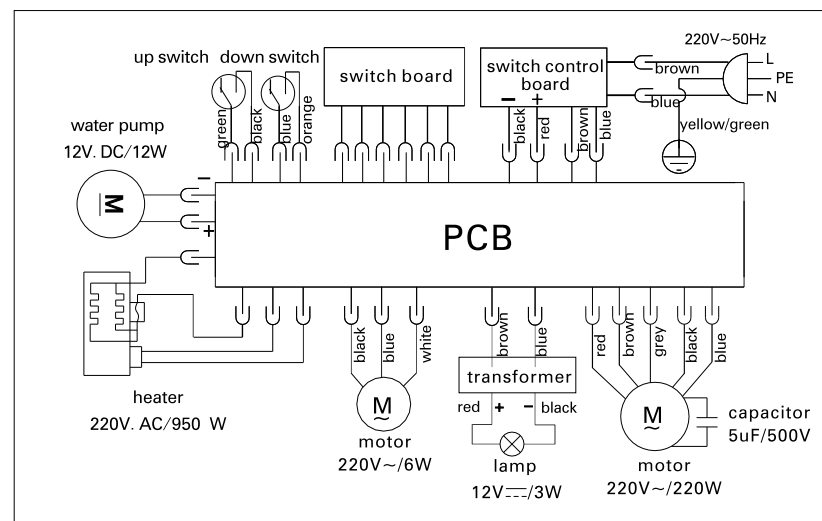
Press “⚙️” to use stri-fry function for 3mins. Press “⚙️” again for stop it and back to normal fan speed.

* Hand wave sense function

- When the hood is turn off, wave hand “👉” left to right front of hood (as pic (1) shows), turn on the hood and lamp.
- When the hood is working, wave hand “👈” right to left (as pic(2) shows), turn off the hood and lamp.
- When the hood is working, wave hand “👉” left to right front of hood (as pic (1) shows), turn on the stri-fry function.
- When the hood in stri-fry function, wave hand “👉” left to right front of hood (as pic (1) shows) switch to normal fan speed mode.
- When the hood in delay function, wave hand “👉” left to right front of hood (as pic (1) shows) to turn off delay function
- Press “⚙️” and “⌚” in the same time for 1s, can turn on/off Hand wave sense function with “beep” sound.



Wiring diagram



Maintenance

Hood Cleaning

Cleaning tips:

- * Hot water with soap or detergent is all that is usually needed.
- * Follow all cleaning by rinsing with clear water. Wipe dry with a clean, soft cloth to avoid water marks.
- * For discolorations or deposits that persist, use a non-scratching household cleanser with a little water and a soft cloth.
- * For stubborn stain, use a plastic scouring pad or soft bristle brush together with cleanser and water. Rub lightly in direction of polishing lines or “grain” of the stainless finish. Avoid using too much pressure that may mar the surface.
- * Do not allow residue of detergent to remain for long periods of time.
- * Do not use ordinary steel wool or steel brushes, it may cause scratches to the glass surface.
- * Do not allow salt solutions, disinfectants, bleaches, or cleaning compounds to remain in contact with stainless steel for extended periods. Many of these compounds contain chemicals that may be harmful. Rinse with water after exposure and wipe dry with a clean cloth.
- * Painted surfaces should be cleaned with warm water and mild detergent only.



Maintenance

- * Proper maintenance of the cooker hood will assure proper performance of the unit.
- * Disconnect the hood from the main supply before carrying out any maintenance work.
- * Clean and/or replace aluminum grease filters or charcoal filters after specified period of time.
- * Clean the hood using a damp cloth and a neutral liquid detergent.
- * **DISPOSAL:** Do not dispose this product as unsorted municipal waste. Collection of such waste separately for special treatment is necessary.

WARNING!!

In certain circumstances electrical appliances may be a danger hazard.

- * Do not check the status of the filters while the cooker hood is operating.
- * Do not touch the light bulbs after appliance use.
- * Do not disconnect the appliance with wet hands.
- * Avoid naked flame, as it is damaging to the filters and can cause a fire hazard.
- * Constantly check the food while frying to prevent oil from overheated as it may lead to a fire hazard.
- * Disconnect the electrical plug prior to any maintenance.
- * Children will not recognize the risks of electrical appliances. Therefore use or keep the appliance only under supervision of adults and out of reach from children.