



User's Manual of Cooker hood

This Manual applies to Cooker hood

- Before operating, please read this Manual carefully, and keep it properly.
- The pictures in this Manual are for reference only.

HOME TYPE TRADING SDN BHD

LOT 1848-C, JALAN KP8 8, KG. BARU BALAKONG,
43300 SERI KEMBANGAN,
SELANGOR DARUL EHSAN, MALAYSIA.
TEL: 03-8962 1848 FAX: 03-8961 8848

Foreword & Contents

Foreword

“Beautiful life starts from your kitchen”. Thanks for purchasing Ika kitchen appliances. Ika kitchen appliances undertake the social mission to provide beautiful kitchen lives for mankind, and Ika is committed to becoming the best kitchen life solution supplier in the world. We adhere to the purpose of quality first and customer foremost. If you have any comments and suggestions, please don't hesitate to contact us, and we will provide perfect services according to your needs.

Warning: Before installing and using, please read this Manual carefully, and get familiar with the safety precautions in order to use it properly.

Note: The appearance and structure of our products are subject to change without prior notice.

Contents

Foreword.....	1
Safety Precautions.....	2
Specification and Parameters.....	3
Packing list.....	3
Product Diagrams.....	4
Safety Instructions.....	9
Installation Method.....	10
Exhaust Pipe Installation.....	13
Electrical Schematic.....	13
Method of use.....	16
Maintenance and Cleaning.....	19
Trouble Shooting.....	20

Safety Precautions

1. This is an appliance designed for home use by adults.
2. The appliance must be installed by a skilled and qualified installer.
3. Keep electrical appliances out of reach from children. Donot let them operate the appliances without supervision.
4. Before installation, check if the main supply voltage is matched with the voltage of appliance.
5. To protect against the risk of electrical shock, do not immerse the appliance, cord or plug into water or any other from liquid.
6. The appliance and its filter should be cleaned regularly in order to keep in good working order.
7. Clean the appliance according to the instruction manual and keep the appliance from the danger of burning.
8. The room must be well-ventilated when using cooker hood together with other cooking appliances.
9. For any replacements or alterations that may be required to contact an authorized Technical Assistance Centre and insist on the use of original spare parts. No parts or components should be removed or replaced except by a qualified person.

Important:

The manufacturer cannot be held responsible for damage to property or personal inquiry resulting from incorrect installation.

Specifications and Parameters

Product Name	Cooker Hood				
Model Number	IKA-LEXINGTON	IKA-NESTON	IKA-HARMONI	IKA-MUNICH	IKA-DRESDEN
Voltage	220V~240V	220V~240V	220V~240V	220V~240V	220V~240V
Frequency	50Hz/60Hz	50Hz/60Hz	50Hz/60Hz	50Hz/60Hz	50Hz/60Hz
Rated Power	315W	250W	235W	315W	288W
Air Flow	1700m ³ /hr	1600m ³ /hr	1800m ³ /hr	1600m ³ /hr	1800m ³ /hr
Noise Level	70dB	70dB	69dB	70dB	70dB
Light Power	≤5.0W	≤5.0W	≤2.5.Wx2	≤3.0W	≤5.0W

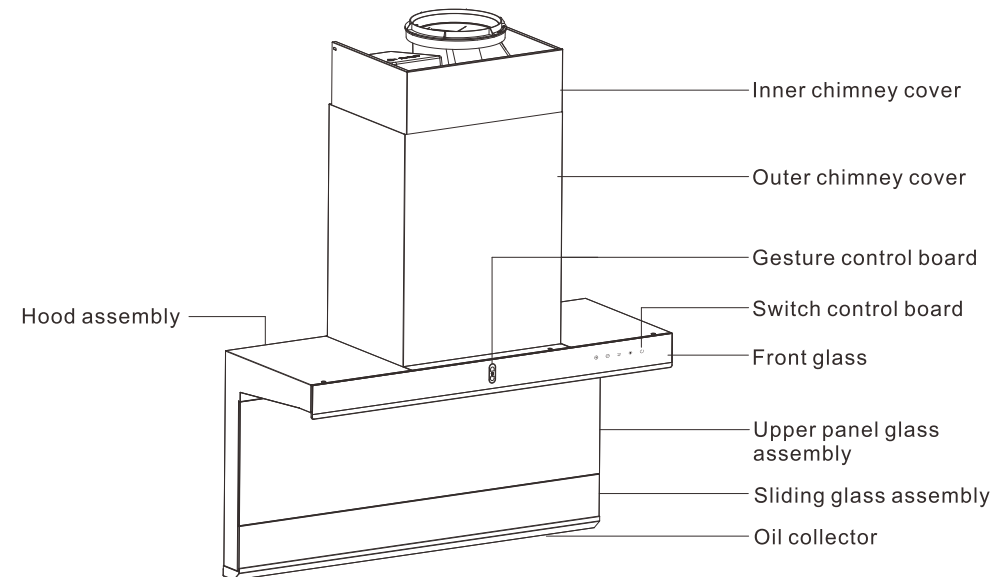
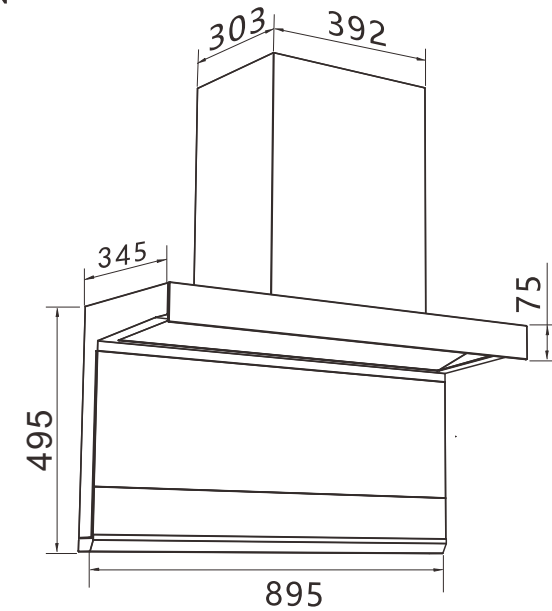
★ Note: Refer to the mark on the nameplate of the cooktop for the rated gas pressure.

Packing list

NO.	Model Number	IKA-LEXINGTON	IKA-NESTON	IKA-HARMONI	IKA-MUNICH	IKA-DRESDEN
1	Cooker hood	1pc	1pc	1pc	1pc	1pc
2	Exhaust pipe	1pc	1pc	1pc	1pc	1pc
3	Hand strip	1pc	1pc	1pc	1pc	1pc
4	Oil collector	1pc	1pc	1pc	1pc	1pc
5	Instruction manual	1pc	1pc	1pc	1pc	1pc
6	Supporting bar for chimney cover	1pc	1pc	1pc	1pc	1pc
7	Self tapping screw	6pcs	6pcs	9pcs	p2s	2pcs
8	Expanded colloid	6pcs	6pcs	9pcs	6pcs	6pcs
9	Expanded screw	4pcs	2pcs	6pcs	6pcs	6pcs
10	Limit screw	/	2pcs	/	2pcs	2pcs
11	Wood	8pcs	4pcs	7pcs	4pcs	4pcs
12	Foam	1 set	1 set	1 set	1 set	1 set

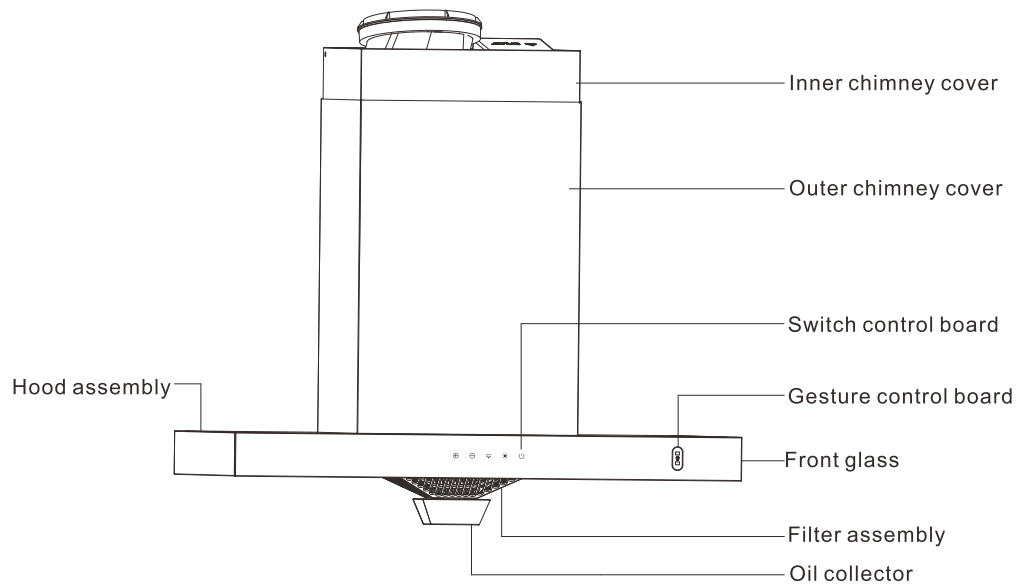
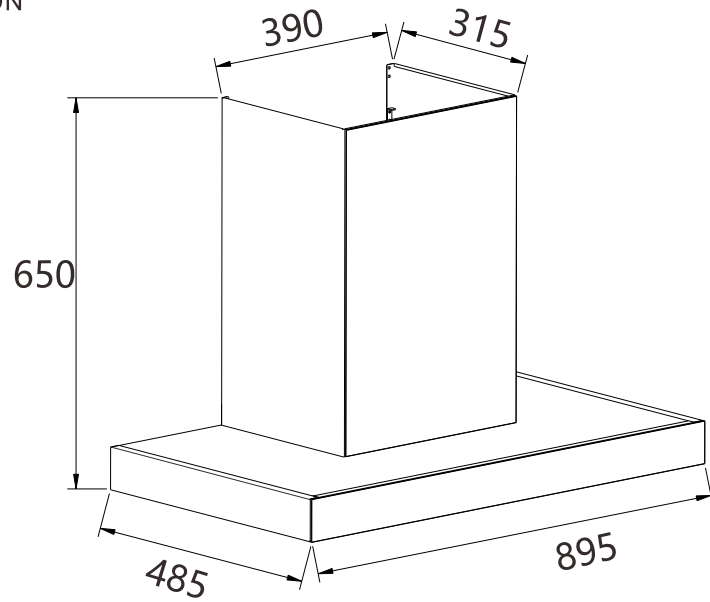
Product Diagrams

IKA-LEXINGTON



Product Diagrams

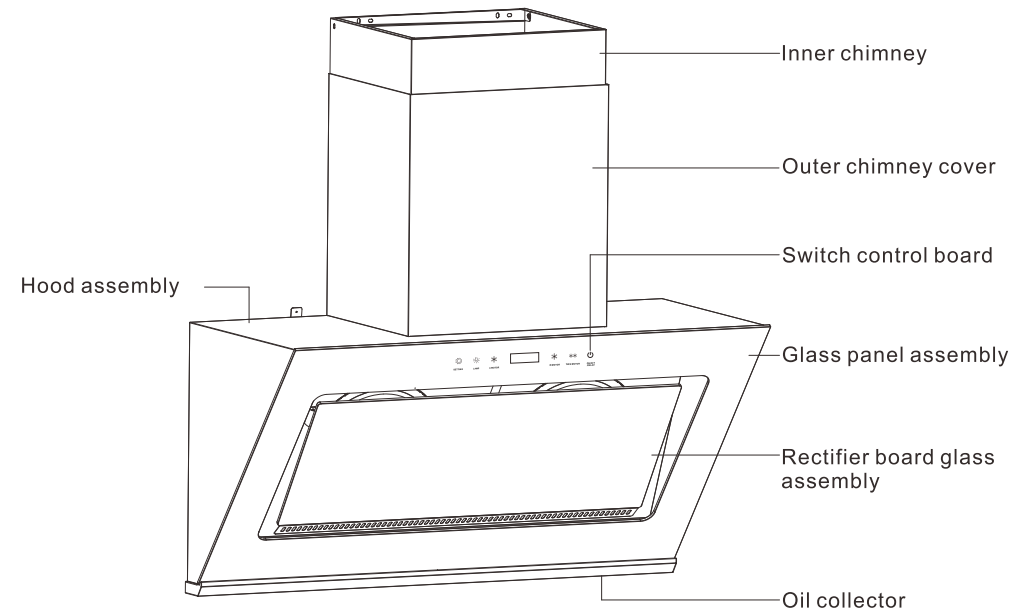
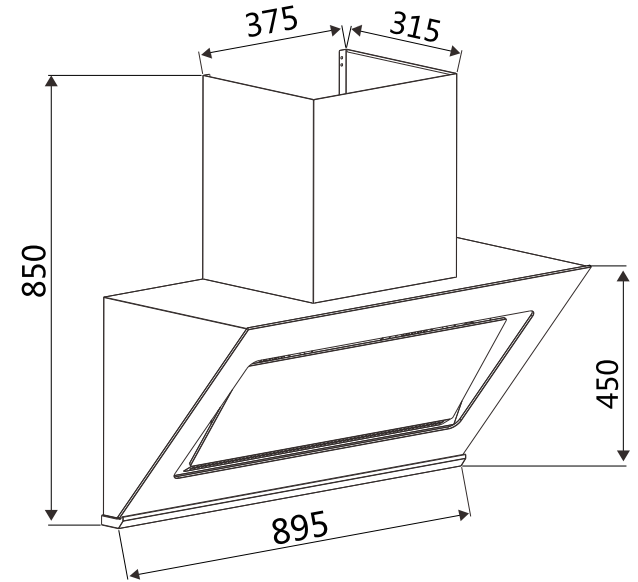
IKA-NESTON



5

Product Diagrams

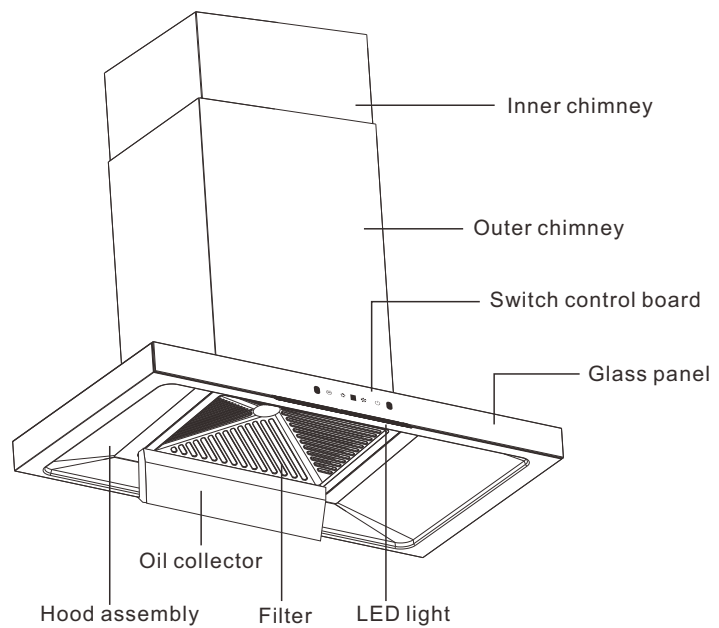
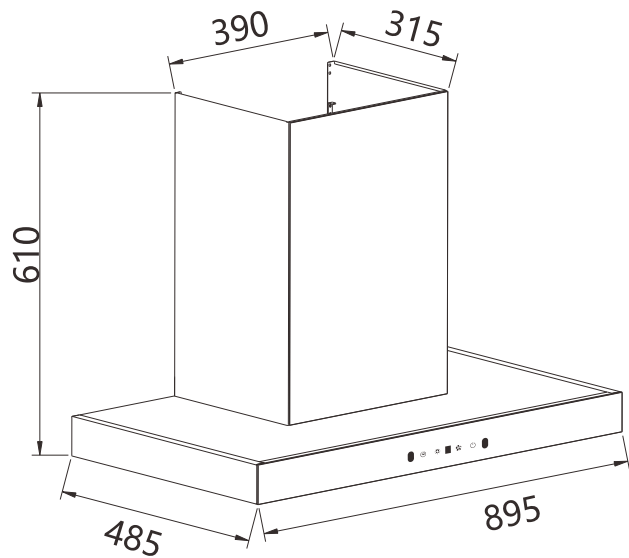
IKA-HARMONI



6

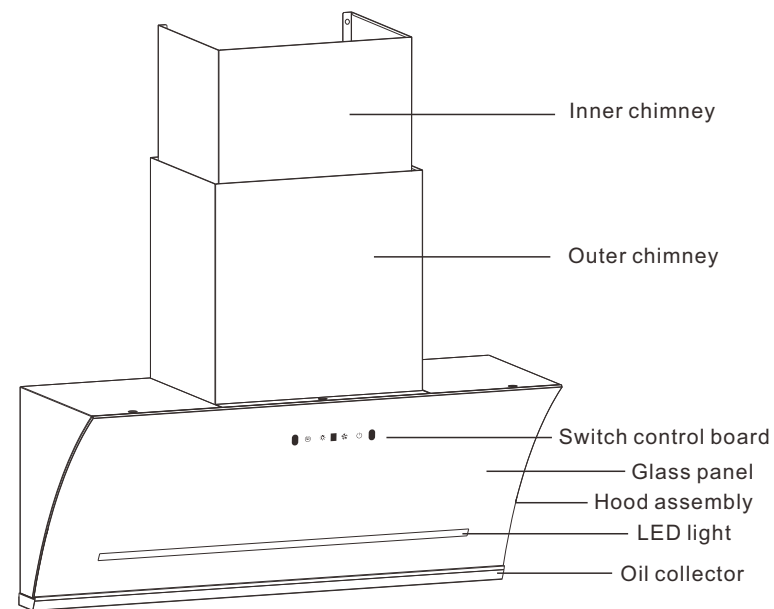
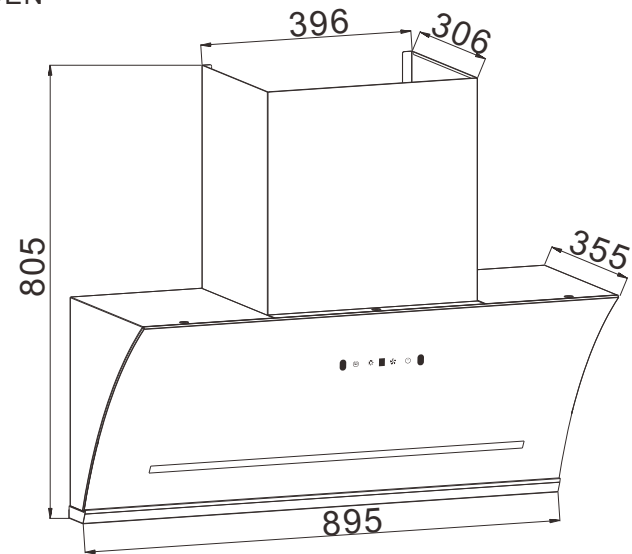
Product Diagrams

IKA-MUNICH



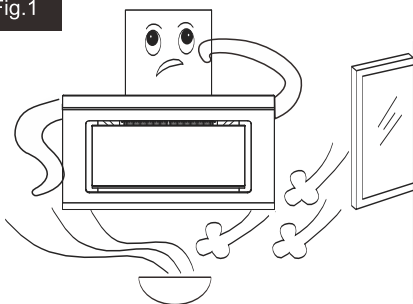
Product Diagrams

IKA-DRESDEN



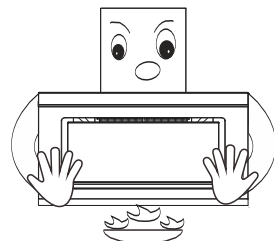
Safety Instructions

Fig.1



- Do not fix the hood so high, to prevent air flow from outside, which affect the efficiency.

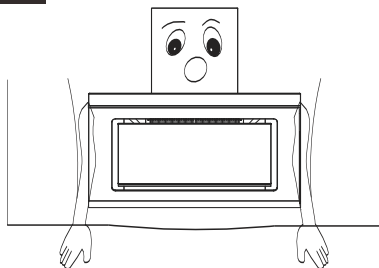
Fig. 2



Warning

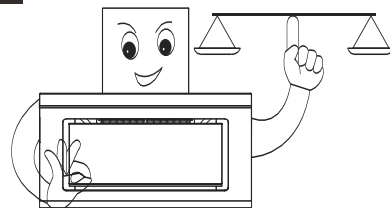
- Do not burn the hood directly, to avoid damaging the hood and causing accidents.

Fig. 3



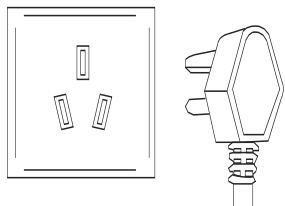
- Please keep an enough space for hood installing & dismantling; it is helpful for inspection and maintenance.

Fig.4



- Please keep the hood in balance while installing.

Fig.5



- Please use single-phase socket and it should be well connected with the grounding.

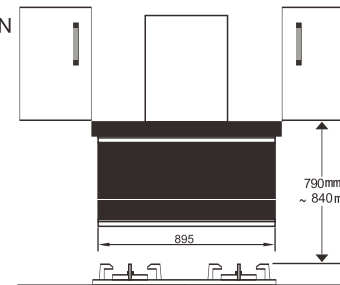
Fig. 6



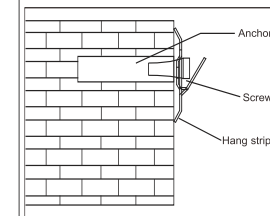
- Please install by a skilled and qualified installer.

Installation Method

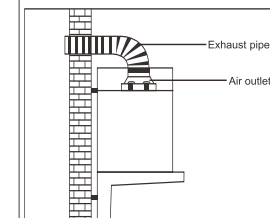
IKA-LEXINGTON



Position:
Find out the fixed place and drill 5 holes with diameter of 10mm and 50mm depth.

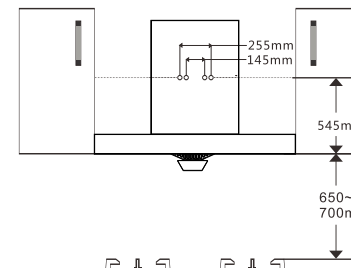


Hang strip installation:
Insert 5 anchors into the holes and tighten the hang strip with screws.

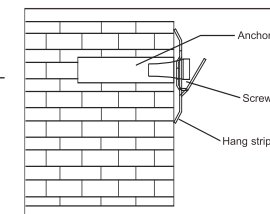


Exhaust pipe installation:
Fix the exhaust pipe and air outlet with ST3x8 self tapping screw and then throw out to the other end of pipe toward outside of public channel.

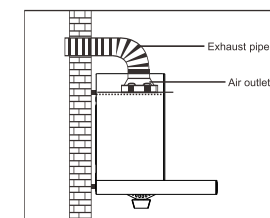
IKA-NESTON



Position:
Find out the fixed place and drill 4 holes with diameter of 10mm and 50mm depth.

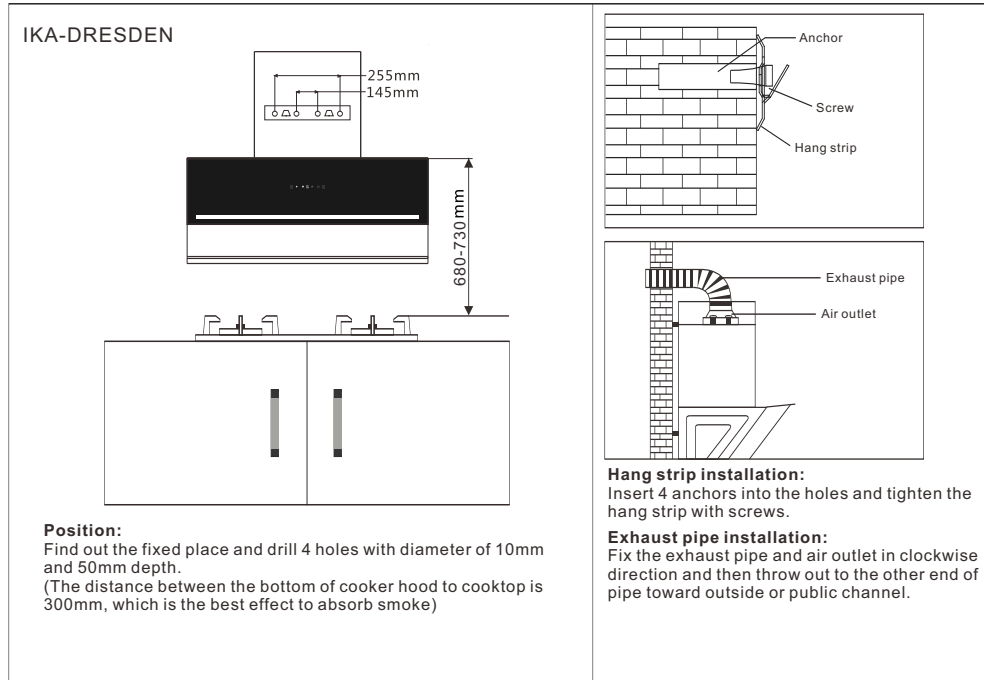
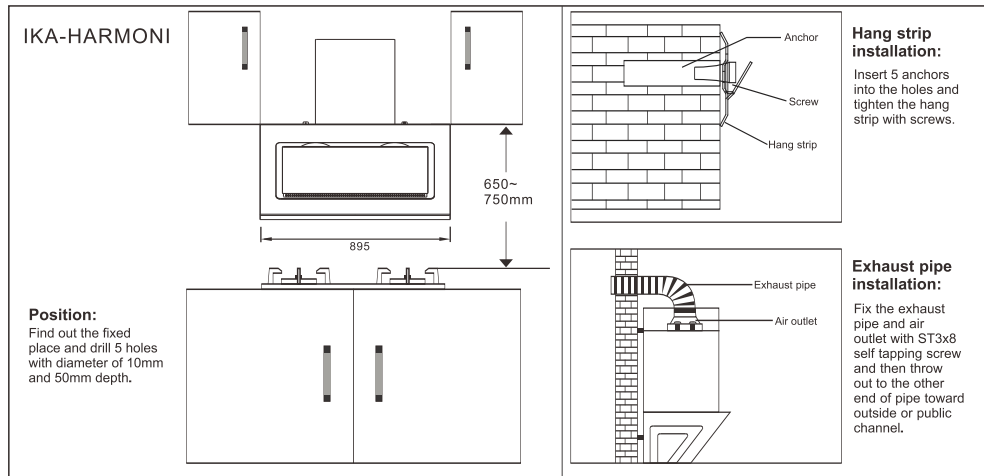


Hang strip installation:
Insert 4 anchors into the holes and tighten the hang strip with screws.

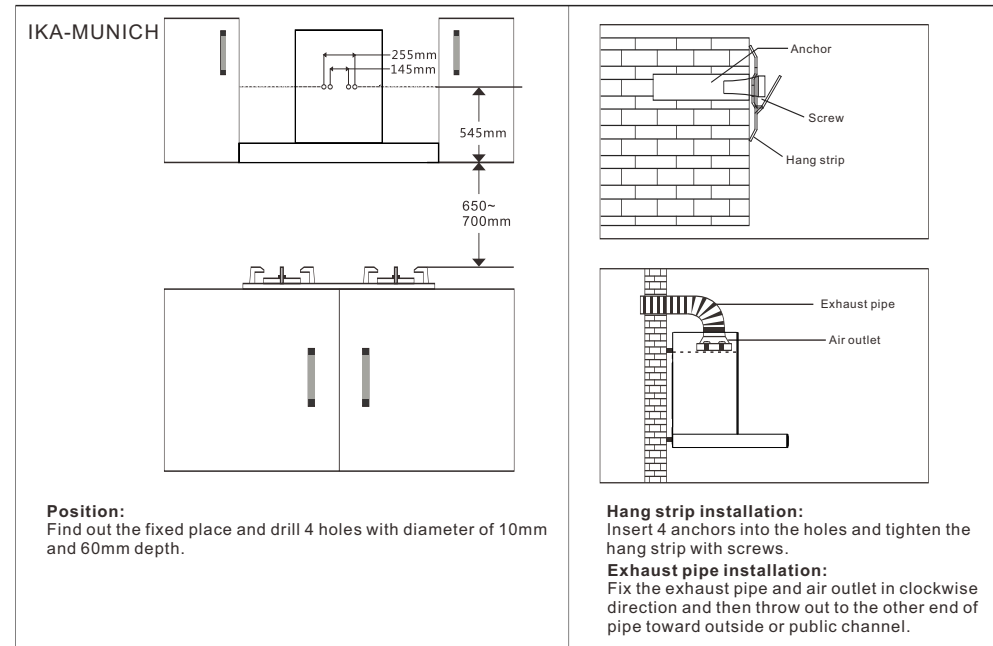


Exhaust pipe installation:
Fix the exhaust pipe and air outlet with ST3x8 self tapping screw and then throw out to the other end of pipe toward outside or public channel.

Installation Method



Installation Method



Cooker Hood Installation:

Hand the cooker hood and make sure it is in level, and screw up cooker hood with hand strip toward the wall, to avoid falling down.



Notice

- Make sure the exhaust pipe is not bending less than 90 degree.
- Do not connect with other pipe whose diameter is less than the rated size of exhaust pipe.
- Don't insert too deep if you want to connect pipe with the public one directly, to avoid increasing exhaust resistance.
- Do not discharge smoke from cooker hood into the hot chimney with smoke from burning gas or other fuels, to avoid fire accident.

Exhaust Pipe Installation

1. Fixed the fixing ring by hand, with marked end toward the bottom.

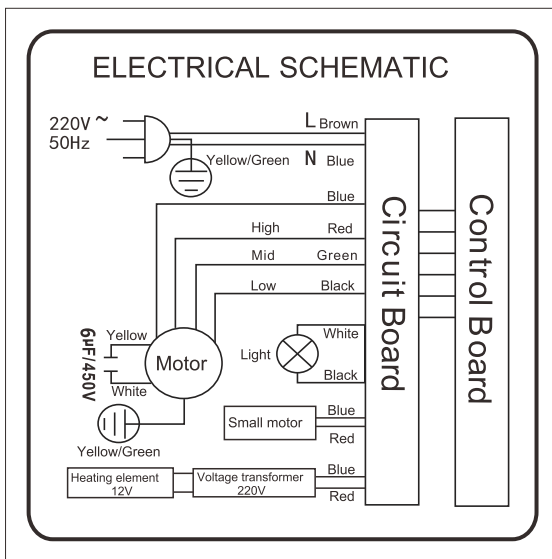
2. Aim at the bottom of pipe, push it from up to down, then tight up the slot with exhaust pipe ring by hand.

3. Screw the exhaust pipe with air outlet in a clockwise rotation, and impact with the pipe joint; finally throw out the other end of pipe toward outside or public channel.

★ If the exhaust pipe is too long, please keep it in roll and fix it to avoid shaking while hood is working.

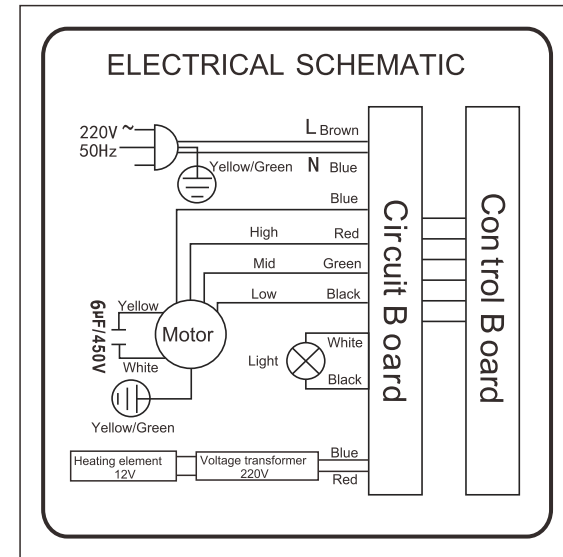
Electrical Schematic

IKA-LEXINGTON

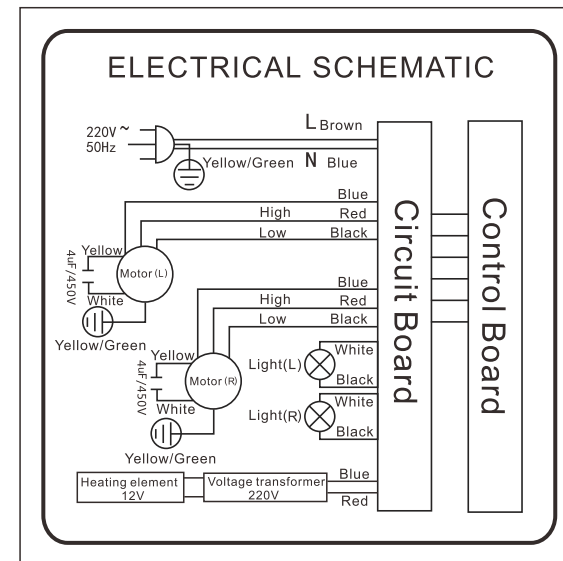


Electrical Schematic

IKA-NESTON

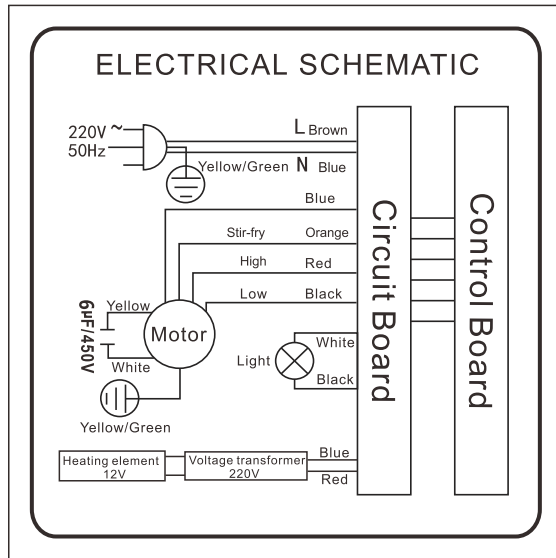


IKA-HARMONI

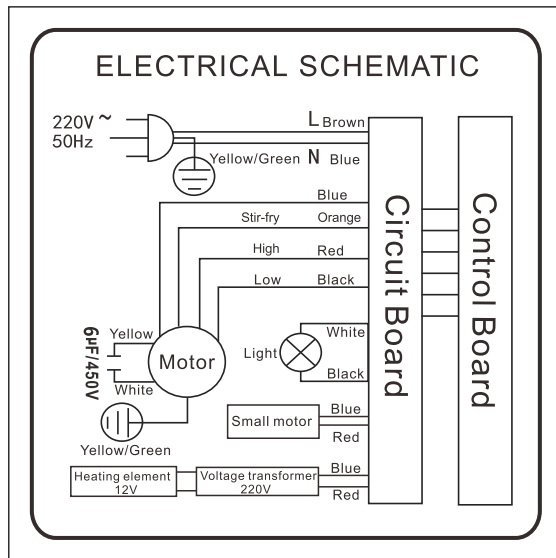


Electrical Schematic

IKA-MUNICH



IKA-DRESDEN



Method of use

IKA-HARMONI



SETTING



LAMP



L/MOTOR



R/MOTOR



TWIN MOTOR



ON/OFF /DELAY

⏻ Touch this icon once, cooker hood is on standby. When the motor is working, touch this icon, the hood will finish work within 1 minute, and then all keys will light off, the hood stops working.

⚙️ When cooker hood is on standby, touch this icon for 3 seconds, the key of heat clean will flash; heat auto-clean will be working 10 minutes, including 1 minute at high speed, and with 11 minutes for heat clean working shown on the screen.

⚙️ (L) When cooker hood is on standby, touch this icon, the left motor will work at low speed, with “F1” shown on the left side of screen; if touch this icon twice, left motor will work at high speed, with “F2” shown on the left side of screen. If 2 motors are working, touch this icon, the left motor stops working.

⚙️ (R) When cooker hood is on standby, touch this icon, the right motor will work at low speed, with “F1” shown on the right side of screen; if touch this icon twice, right motor will work at high speed, with “F2” shown on the right side of screen. If 2 motors are working, touch this icon, the right motor stops working.

⚙️⚙️ When cooker hood is on standby, touch this icon, 2 motors work together at high speed; with “F3” shown on both left and right side of screen; if touch this icon twice, the hood stops working.

💡 Touch this icon, lights will be turned on; if touch this icon twice, lights will be off. Long touch this icon for 3 seconds when the hood is off, it, L/MOTOR and R/MOTOR will be light on. The left motor is for “Hour” setting and the right motor is for “Minute” setting.

Method of use

IKA-LEXINGTON & IKA-NESTON



Gesture window, ideal working distance (5cm~10cm), sensor will be activated by gesture; the hood will start with high speed and with all keys light on.




When the hood is in standby, touch this icon at one time, and then all icons will light on, the motor starts to work at the high speed; if touch this icon twice, all icons still stay light on, but the motor will stop; But if the motor works at low speed, touch this icon at one time, the motor will turn to the mid speed; if touch it twice, the motor will be at the high speed.



When the hood is in standby, touch this icon at one time, and then all keys will light on, the motor starts to work at the low speed; if touch this icon twice, all icons will stay light on, but the motor will stop; But if the motor works at high speed, touch this icon at one time, the motor will turn to the mid speed; if touch it twice, the motor will be at the low speed.



When the hood is in standby, touch this icon, it and  will light on; during the heat-clean, the key of heat-clean will flash. Heat-clean will be working 10 minutes including 1 minute at high speed.



Touch this icon to turn on the light; if touch it again, turn off the light.



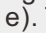
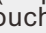
When the hood is in standby, touch this key, and then all keys will light on; when the motor is working, touch this icon, the hood will finish work within 1 minute, and then all keys will light off, the hood stop working.

Method of use

IKA-MUNICH & IKA-DRESDEN



Sensor by gesture

- When hood is on standby, move hand from left to right, to start up the cooker hood with light on.
- When hood is working, move hand from right to left, to shut up the hood.
- When hood is working, move hand from left to right, to adjust speed "High-Stir fry - Low".
- When hood is under the condition of delay, move hand from left to right (as picture 1), to exit the delay state.
- Touch icon  and  for 3 seconds, to turn on or off the sensor touch control; "n" will flash on the screen for 3 times if sensor touch is on; if it is off, "F" will flash on the screen for 3 times.

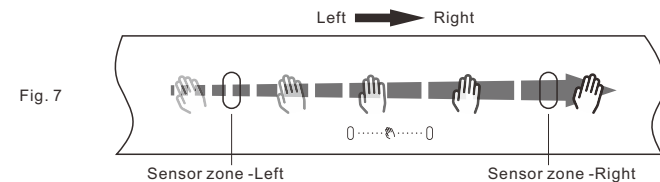


Fig. 7

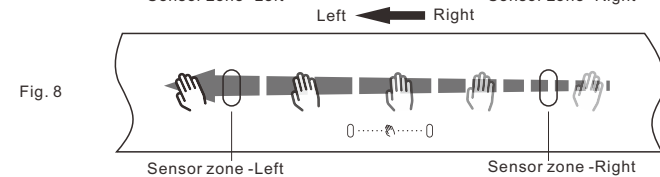


Fig. 8



When hood is in stand by, touch for one second to turn on the fuction of heat-clean. Heat-clean will be working 10 minutes, and 1 minute at high speed.



Touch this icon to turn on or turn off the light.



When hood is on standby, touch this icon to adjust the speed "High - Stir fry - Low". Only the stir-fry fuction will work for 3 minutes, then work at high speed when stir-fry is over.



When hood is in standby, touch this icon to turn on the cooker hood; again, turn off the hood. Touch this icon when hood is working, the hood will finsih working within 1 minute, with light off.

Maintenance and Cleaning

- Pull out the electric plug before repairing and maintaining the cooker hood and clean according to the methods of Introduction, to avoid firing danger.
- Wear gloves when cleaning surfaces to prevent your hands being hurt by seamed edges.
- Don't use water to wash the cooker hood directly.
- The cooker hood should be maintained and cleaned regularly depending on the surrounding environment to keep its cleanness, a good effect and a longer service life.
- Timely cleaning when oil reached two thirds of oil collector , to avoid spilling.Fig. 15 for reference, to remove the oil collector.



Fig.15

Stainless Steel Surface Cleaning:

Use neutral detergent without abrasive to clean the surface, and do not clean with hard object or steel ball.

Changing a Light:

You must pull off the electric plug before changing a light. Keep the power rate of light no more than 5.0W and you could check the power rate from label.

Notice:

If your cooker hood occurred the following phenomena, you must unplug the power cord and contact with our service center:

- Irregular sound when opening the cooker hood.
- Abnormal phenomena or vibration when working.
- Finding unpleasant smell, smoke, heating and other unknown phenomena.

Trouble Shooting

Fault	Cause	Solution
Touch any icon but no responses.	The plug is not or improperly inserted or no power supply.	Plug the power cord.
Touch light icon, but the light cannot turn on.	The light is damaged, poorly contacted with the power supply.	Use a good light or plug the power cord.
There is faradic electricity on the surfaces of the cooker hood with a slight electric shock.	The electric outlet is not effectively grounded.	Use one-way triple socket and have a good grounding.
Irregular sounds are heard when the impeller operates.	The impeller becomes loose and screws are not fixed.	Tighten up the screw of impeller.
Universal pipe with noise.	Universal pipe does not straightened.	Please install as required.
Oil dripping.	Installation of oil collector is not suitable.	Install correctly.

(For model IKA-NESTON, IKA-MUNICH and IKA-DRESDEN)

★ Activated Carbon for Option

If using activated carbon for IKA-NESTON, please take down the chimney cover, then put the buckle of activated carbon aiming to nut on the cabinet, push it in a counter-clockwise direction, till the carbon panel is fixed well.

